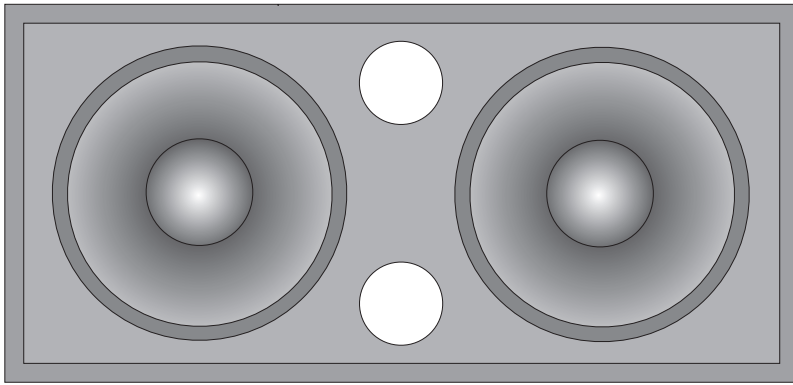
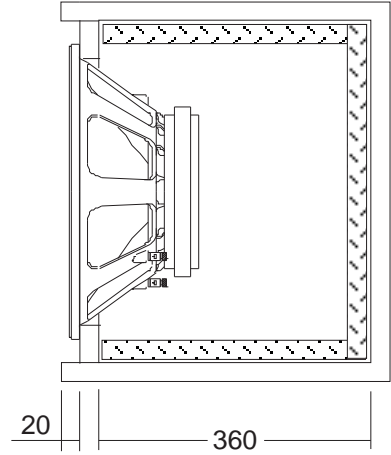
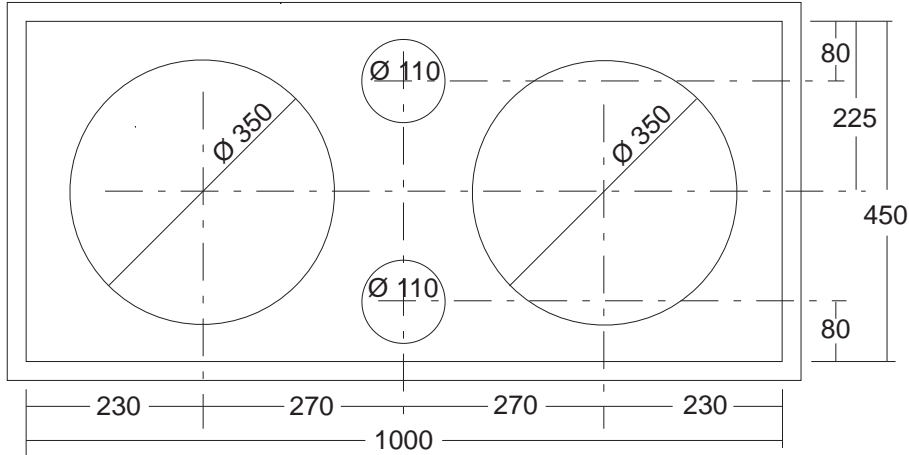


BR023 BASS REFLEX BOX



COMPONENTS

L F (n°2) parallel	15.75 W	15.00 W2
Max Power	1600 W	2000 W
Nominal Power	800 W	1000 W
Impedance	4 Ω	

SPECIFICATIONS

Sensitivity 1W/1m	:	103	dB
Net volume Vb	:	150	dmc
Tuning Frequency Fb	:	50	Hz
Frequency range	:	20 ÷ 500	Hz

FREQUENCY RESPONSE 15.00 W2 (1W/1m)

